



Technical data – Hardware

- 12,1" (30,7 cm) TFT color display, splash-proof integrated in housing, resolution 800 x 600 pixels
- optional integrated customer display and connection for external customer displays
- Touch-Screen technology
- housing color anthracite or light gray, standard equipment with high-quality special steel applications (buttons and product logos)
- modern 64-Bit processor with 131 MHz clock pulse frequency
- 2 MB RAM (battery-buffered), upgrade to 4, 6 or 10 MB available
- 8 MB Flash-ROM for ECR software
- 10/100BaseT Ethernet-connection for network operation
- six serial ports for printers, scanners, card terminals, dispensing systems etc.
- parallel port for uni-directional printers
- two USB ports (Host & Function)
- two ports for up to four cash drawers (per adapter) with „Open Sensor“
- one PS/2 port for PC-keyboard and PC-mouse
- external power supply (100-240V / contained in delivery)
- standard lock ‚Dallas iButton‘, alternatively available in magnetic design, optionally with lock systems ‚EasyReader‘ or ‚Addimat‘
- 0 ... 40°C operating temperature
- -10 ... +50°C storage temperature



Vectron POS ColorTouch anthracite



Vectron POS ColorTouch light gray

Certificates: CE, UL listed



Vectron

Leading in POS Technology



Technical data – Software

- 100.000 PLUs*
- 65.535 departments*
- 1.000 clerks*
- 65.535 guest checks or customers*
- 200 cash registers per network*
- 100 printers per network*

*) The indicated values are maximum values, which can only be reached with special programming and optimum hardware equipment. Please contact your specialist dealer to assist you with your special requirements.

Weight

- including customer display and lock, without stand approx. 4.000 g

Optional accessories

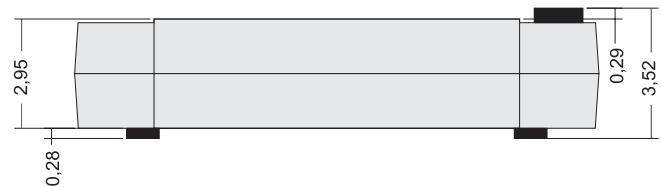
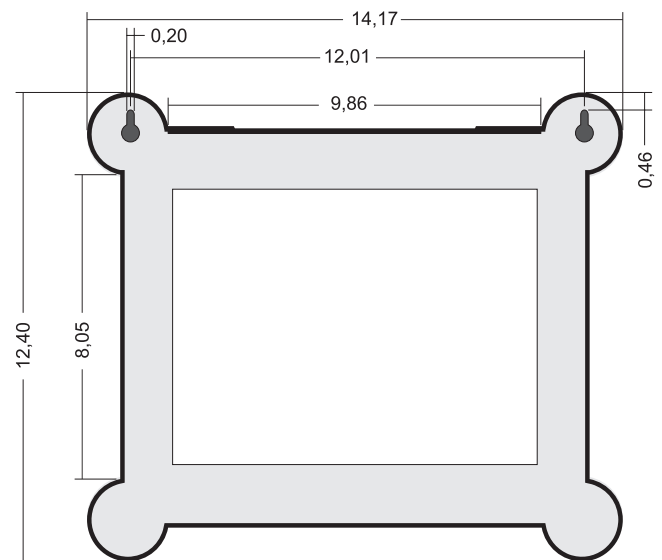
- Memory extension (+ 2/4/8 MB)
- Internal/external customer display
- Protection foil
- Table stand in special steel
- Various clerk locks (see price list)
- Various peripherals (printers, scanners, cash drawers, card readers, etc. / details see price list)

Shipment

Standard delivery of the Vectron POS ColorTouch comprises:

- One Vectron POS ColorTouch, equipment according to order
- External power supply Vectron PS10
- National mains plug
- Clerk lock according to order
- Three supports in different sizes
- User manual
- Dispatch box
- Software license according to order

Dimensions



Dimensions above are indicated in inch.



Vectron

Leading in POS Technology