



Technical data – Hardware

- 5,7" (14,5 cm) display with 320 x 240 pixels (¼ VGA) in hinged lid, CSTN (color) design
- optional TouchScreen
- optional internal customer display and connection for external customer displays
- flat keyboard with 108 fully configurable keys
- housing color anthracite or light gray, standard equipment with high-quality special steel applications (buttons and product logos)
- modern 64-Bit processor with 131 MHz clock pulse frequency
- 2 MB RAM (battery-buffered) upgrade to 4, 6 or 10 MB available
- 8 MB Flash-ROM for ECR software
- 10/100BaseT Ethernet-connection for network operation
- standard one serial port for printers, scanners, card terminals, dispensing systems, etc., upgrade to six ports per software release
- optional parallel printer port (software release)
- two USB ports(Host & Function)
- two ports for up to four cash drawers (per adapter) with „Open Sensor“
- one PS/2 port for PC-keyboard and PC-mouse
- external power supply (100-240V / contained in delivery)
- Standard lock ‚Dallas iButton‘, alternatively available in magnetic design, optionally with lock systems ‚EasyReader‘ or ‚Addimat‘
- 0 ... 40°C operating temperature
- -10 ... +50°C storage temperature



Vectron POS Mini
anthracite



Vectron POS Mini
light gray

Certificates: CE, UL listed



Vectron

Leading in POS Technology



Technical data – Software

- 100.000 PLUs*
- 65.535 departments*
- 1.000 clerks*
- 65.535 guest checks or customers*
- 200 cash registers per network*
- 100 printers per network*

*) The indicated values are maximum values, which can only be reached with special programming and optimum hardware equipment. Please contact your specialist dealer to assist you with your special requirements.

Weight

- incl. customer display and lock approx. 3.120 g

Optional accessories

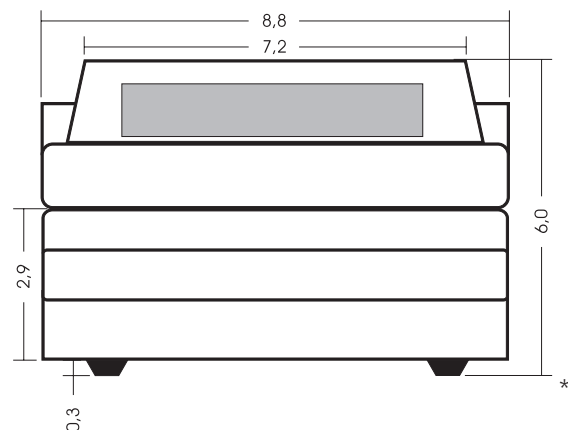
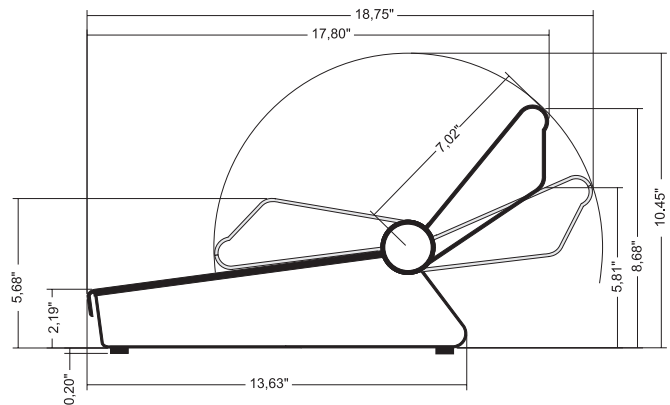
- Memory extensions (+ 2/4/8 MB)
- Internal/external customer display
- Table stand in special steel
- Various clerk locks (see price list)
- Various peripherals (printers, scanners, cash drawers, card readers, etc. / details see price list)

Shipment

Standard delivery of the Vectron POS Mini comprises:

- One Vectron POS Mini, equipment according to order
- External power supply Vectron PS10
- National mains plug
- Clerk lock according to order
- User manual
- Dispatch box
- Software license according to order

Dimensions



*) provisional dimensions

Dimensions above are indicated in inch.



Vectron

Leading in POS Technology