



# Vectron Systems AG – Data sheet

## Vectron POS Vario

August 2005

### Technical data – Hardware

- 10,4" (26,4 cm) TFT color display, steplessly adjustable and splash-proof, integrated in housing, resolution 640 x 480 pixels, max. 256 colors
- optional TouchScreen
- optional internal customer display and connection for external customer displays
- flat or raised keyboard with 108 fully configurable keys
- housing color anthracite, standard equipment with high-quality special steel applications (buttons and product logos)
- modern 64-Bit processor with 131 MHz clock pulse frequency
- 2 MB RAM (battery-buffered), upgrade to 4, 6 or 10 MB available
- 8 MB Flash-ROM for ECR software
- 10/100BaseT Ethernet-connection for network operation
- six serial ports for printers, scanners, card terminals, dispensing systems, etc.
- parallel port for mono-directional printer
- two USB ports (Host & Function)
- two ports for up to four cash drawers with „Open Sensor“
- one PS/2 port for PC-keyboard and PC-mouse
- external power supply (100-240V / contained in delivery)
- standard lock ‚Dallas iButton‘, alternatively available in magnetic design, optionally with lock systems ‚EasyReader‘ or ‚Addimat‘
- 0 ... 40°C operating temperature
- -10 ... +50°C storage temperature



Vectron POS Vario  
with flat keyboard



Vectron POS Vario  
with raised keyboard

Certificates: CE, UL listed



# Vectron

Leading in POS Technology

**Vectron Systems AG**  
Willy-Brandt-Weg 41  
48155 Muenster / Germany  
www.vectron.de

© Vectron Systems AG  
Subject to error and technical modifications



### Technical data – Software

- 100.000 PLUs\*
- 65.535 departments\*
- 1.000 clerks\*
- 65.535 guest checks or customers\*
- 200 cash registers per network\*
- 100 printers per network\*

\*) The indicated values are maximum values, which can only be reached with special programming and optimum hardware equipment. Please contact your specialist dealer to assist you with your special requirements.

### Weight

- including customer display and lock approx. 4.200 g

### Optional accessories

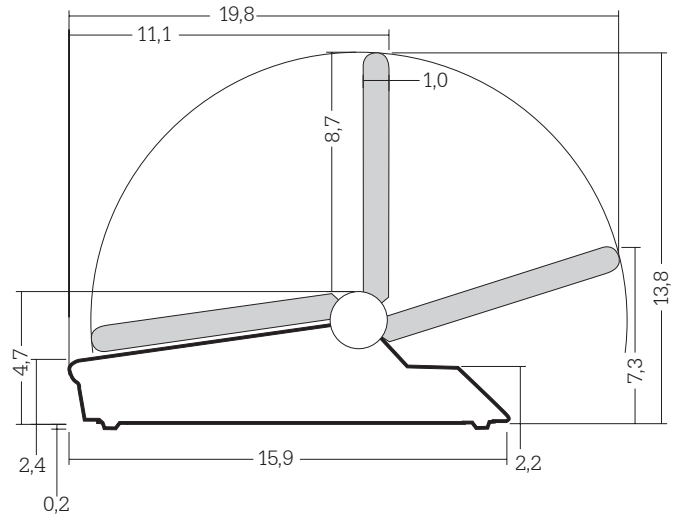
- Memory extension (+ 2/4/8 MB)
- Internal/external customer display
- Table stand in special steel
- Various clerk locks (see price list)
- Various peripherals (printers, scanners, cash drawers, card readers, etc. / details see price list)

### Shipment

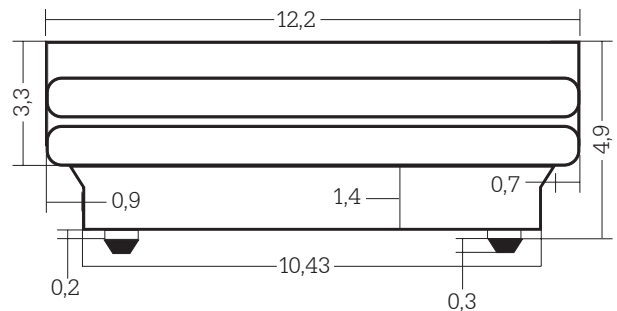
Standard delivery of the Vectron POS Vario comprises:

- One Vectron POS Vario, equipment according to order
- External power supply Vectron PS10
- National mains plug
- Four rubber feet
- Clerk lock according to order
- User manual
- Dispatch box
- Software license according to order

### Dimensions



Dimensions without feet.



Dimensions above are indicated in inch.



# Vectron

Leading in POS Technology